

PK SERIES



WWW.PTC-VIETNAM.COM

AUTO BAGGING SYSTEM ...

**PHON-TECH™ PK1
HIGH SPEED OPEN-MOUTH BAGGER**

PTC Vietnam

LOOSE FILL BAGGING

HYGIENIC STANDARD

PTC Vietnam always put a strong emphasis on high hygienic standards. With the **PHON-TECH™** PK1, this is realized through:

- Continuous bag transfer in closed conditions, contamination of the product is impossible from the empty bag placing through the closing of the filled bag.
- Dust free bagging is enhanced by the bag clamp, which keeps the operating environment clean.
- Simple and easy cleaning.
- Constructed with stainless steel contact parts.



FUNCTIONALITY

Bags suitable for automatic bag placing are positioned in the empty bag magazine, the bag is carried out by means of suction pads. Once opened, the bag is kept open by the grippers on the bag-placing arm. The bag is placed onto the bag clamp and held by the gripper jaws. Having placed the bag, the placing arm moves away. Once the bag is filled, the spout is lowered and the transfer unit takes away the filled bag. The belt-guiding device holds the bag at the upper edges and supports it by the conveyor belt whilst the bag is moved to a closing device.



THE BAGGING SOLUTION

The PK Bagging system is designed for bagging all types of free-flowing materials into plastic, paper or polywoven open-mouth bags. They can handle pillow-type or side gusseted bags of various sizes at capacities of up to 20 bags per minute.

Applications

Chemicals: Fertilizer, plastic, pellets, etc.

Food: Animal feed, flour, grain, rice, salt, seeds, sugar, etc.



FEATURES AND BENEFITS

- Single swivel spout allowing for high production capacities of up to 20 bags per minute.
- Synchronized feeding speed to the closing system due to the integrated drive system.
- Quick and reliable transfer of filled bags to the closing system thanks to continuous bag retention from bag placing to closing.
- Automatic reject system for misplaced or unopened bags (no human action needed).
- Stainless steel product contact surfaces.
- Double bag magazine which allows non-stop operation and fast reloading.
- Motorized height adjustment of the outfeed conveyor.
- PLC control system with user-friendly operator interface for easy troubleshooting and error code reading.
- Rugged, durable construction including high quality and low maintenance components for long-term reliability.
- Quick and simple bag size changeover.
- Can handle a wide range of bag materials and size
- Posser to settle bag contents.

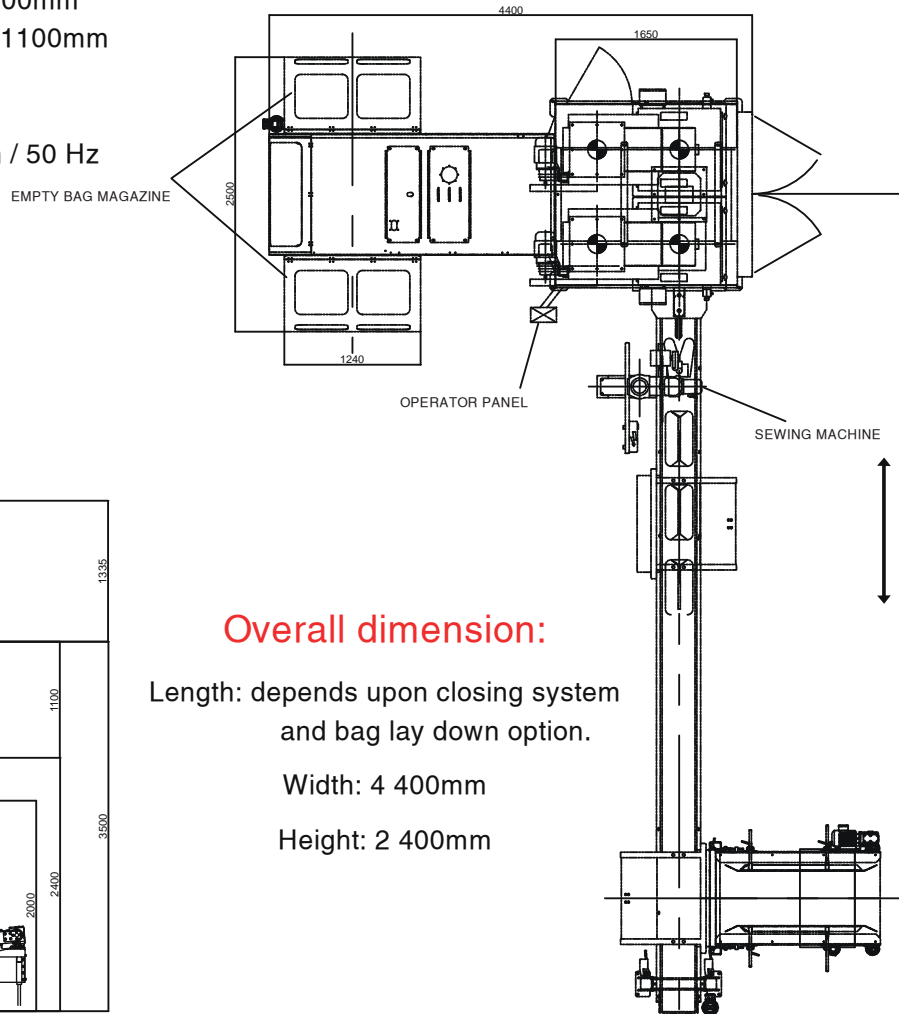
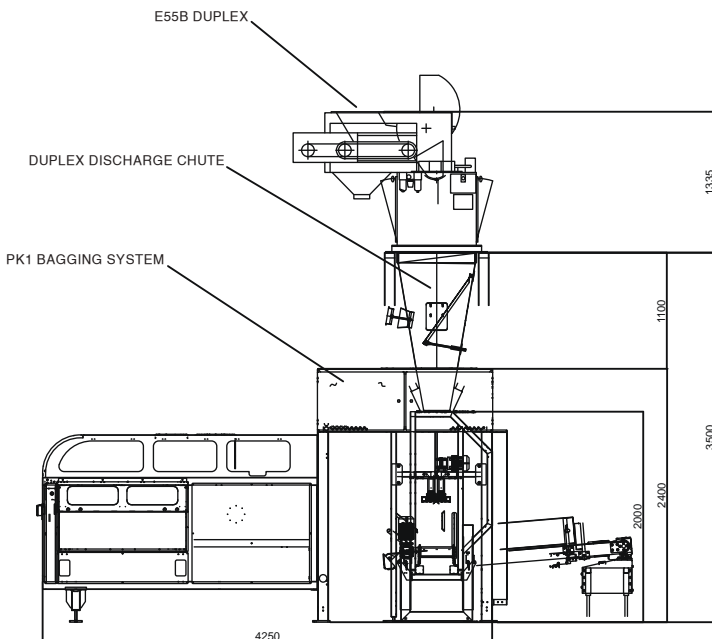
Options available

- Bag closing systems.
- Model for side gusseted bags.
- Aspiration ducts, etc.

TYPICAL LAYOUT

Technical data:

Output:.....Up to 20 BPM
 Weighing range:.....20 - 50 KG
 Bag dimension:.....Width: 300mm - 700mm
 Length: 500mm - 1100mm
 Operating temperature:.....+5°C - +35°C
 Air pressure:5 - 6.5 bar
 Required power supply:.....380V - 65A / 3Ph / 50 Hz
 Power:43.7 kW



Overall dimension:

Length: depends upon closing system
 and bag lay down option.
 Width: 4 400mm
 Height: 2 400mm

PTC VIETNAM COMPANY LIMITED

Head Office

12M Nguyen Thi Minh Khai, District 1,
 Ho Chi Minh City,
 Vietnam

+84 (0)983 011 880
 +84 (0)834 011 880

infor.ptc@gmail.com

ptc-vietnam.com

SCALE AND BAGGER'S WORKSHOP

416 Thanh Binh, An Thanh Ward,
 Thuan An City, Binh Duong Province
 Vietnam

ROBOT PALLETIZER'S WORKSHOP

Block A14, Street 7,
 Da Nang Hi-Tech Park, Da Nang City
 Vietnam

The information in this brochure was the most up-to-date available at the time of printing. Because of PTC VIETNAM's policy of ongoing improvement, the company reserves the right to discontinue or update technical features, models, equipment or pricing as it sees fit, without notice and without further obligation on its part.