

W-SERIES



WWW.PTC-VIETNAM.COM

BAGGING SYSTEM ...

PHON-TECH™ W 25-G / W 55-G
RELIABLE NET WEIGHERS

PTC Vietnam

MATERIAL FEEDING - CAREFUL, FAST AND ACCURATE

PHON-TECH



Gravity feeder "G"

This gravity feeder is used for feeding free-flowing materials, such as plastic granules, granular fertilizer, grain, rice, sugar, etc. The quantity fed during full feed and dribble feed modes depends on the flow characteristics of the material and the opening of the adjustable feed gate.

W 25 / W 55

Proven reliability - net weighing with the **PHON-TECH™** W-series. When the net weighing method is employed, material is fed into a weigh hopper. After the required weight has been reached, the weigh hopper is discharged. The high reliability **PHON-TECH™** W-series net weigher product line-proven in thousands of installations-is subject to a continuous optimisation process to meet ever changing market requirements. Typically the W-series is used for weighing up to 50kg, but if required, a maximum of 100kg can be weighed to satisfy the most stringent international regulatory requirements to meet the highest demands for accuracy and precision weighing for all bagging needs.



Bag holder



BIRD BEAK BAGHOLDER

This bag holder consists of a filler spout with two pneumatically operated sealing and clamping jaws which securely hold the bag.

S4 BAGHOLDER

This bag holder is suitable for use with all types of open mouth bag. Rubber clamp strips securely hold the bag on the bag holder reducing dust emission. Switches provide quick and easy clamping and automatic bag release, via adjustable timer.

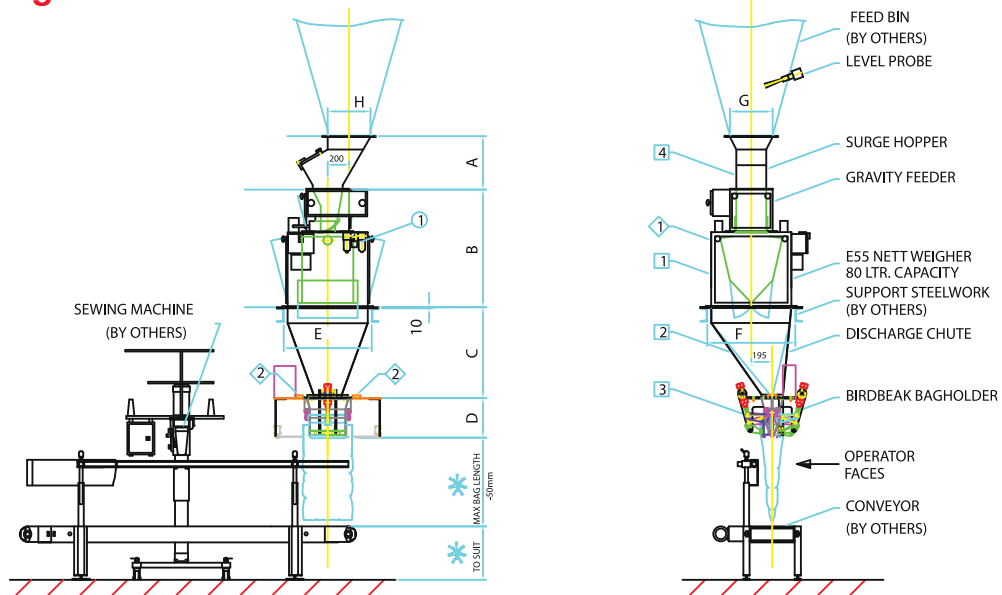
Bird Beak Bag holder

APPLICATIONS

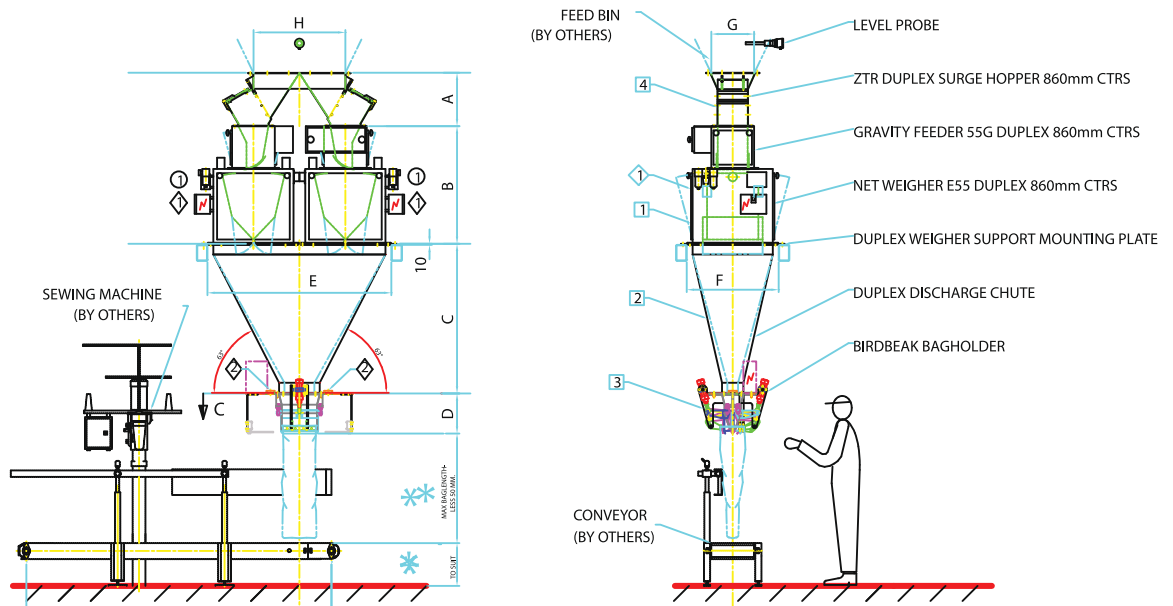
- As stand-alone weigher
- As part of a manually or automatically operated bagging line for open-mouth bags.

W 25-G / W 55-G

Simplex Arrangement



Duplex Arrangement



NOTE:-
 - Frequency at the weigher support point with weigher under full load in any plane: ≥ 12 Hz
 - The deflection at the weigher support point with weigher under full load in any plane: ≤ 1.65 mm

Main Dimensions

Model	Hopper	A	B	C	D	E	F	G	H	Net weight
W55 G	40	375	800	700	240	>620	>620	300	300	335 Kg
W55 G	80	500	1100	850	375	>760	>760	400	400	430 Kg
W55 G	120	500	1100	850	375	>760	>760	400	400	430 Kg
W55 G	160	500	1500	850	375	>760	>760	400	400	430 Kg
Duplex W55 G	40	500	800	1100	375	>1260	>620	400	618	445 Kg
Duplex W55 G	80	500	1100	1400	375	>1720	>860	400	860	540 Kg
Duplex W55 G	120	500	1100	1400	375	>1720	>860	400	860	540 Kg
Duplex W55 G	160	900	1100	1400	375	>1720	>860	400	860	540 Kg

FEATURES AND BENEFITS

- Where abrasive materials are handled all material contact parts can be provided with wear resistant steel.
- Where corrosive materials are handled all material contact parts or even th entire weigher can be provided in stainless steel (e.g. Fertilizer specification).
- High accuracy, - less 'give away' of expensive material...
- Sturdy compact design requiring little maintenance.
- 920i self-optimising microprocessor control gives advanced features and benefits.

TECHNICAL DATA

W 25G / W 55G

Net weigher type	W25 G	W55 B
Weighing range	5 to 30 Kg	10 to 50 Kg or 20 to 100 Kg
Weigher hopper capacity (litre)	30, 40, 80	80, 120, 160, 220
Operating pressure	4 to 6 bar	
Air consumption	12 - 16 NL/weight at 6 bar operating pressure	
Power supply	220/240V/Ph 50Hz 110/220V/Ph 60Hz	
Protection	Min. IP 54, NEMA 12 or Higher if required	
Power consumption	Max. 0.5 kw - 1.0 kw depending upon configuration	

PTC VIETNAM COMPANY LIMITED

Head Office

12M Nguyen Thi Minh Khai, District 1,
Ho Chi Minh City,
Vietnam

+84 (0)983 011 880
+84 (0)834 011 880

infor.ptc@gmail.com

ptc-vietnam.com

SCALE AND BAGGER'S WORKSHOP

416 Thanh Binh, An Thanh Ward,
Thuan An City, Binh Duong Province
Vietnam

ROBOT PALLETIZER'S WORKSHOP

Block A14, Street 7,
Da Nang Hi-Tech Park, Da Nang City
Vietnam

The information in this brochure was the most up-to-date available at the time of printing. Because of PTC VIETNAM's policy of ongoing improvement, the company reserves the right to discontinue or update technical features, models, equipment or pricing as it sees fit, without notice and without further obligation on its part.